



# ONTARIO FIRE DEPARTMENT FIRE PROTECTION STANDARD

ON-SITE TURNAROUND/HAMMERHEAD REQUIREMENTS  
STANDARD #B-002 EFFECTIVE 11-08-05 PAGES 2

## **PURPOSE:**

To establish a consistent guideline for approved private on-site turnarounds/hammerheads which adequately provide for emergency access.

## **SCOPE:**

Terminating roadways in excess of 150 feet shall be designed and constructed with Ontario Fire Department approved turnarounds or hammerheads.

## **AUTHORITY:**

The California Fire Code (CFC) Section 902.2.2.4 and Section 902.1.

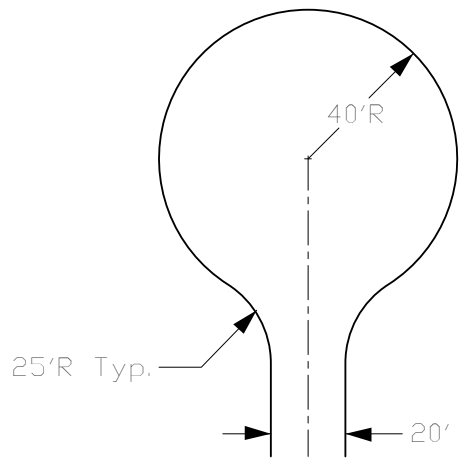
## **ADOPTED STANDARDS:**

See attached graphic

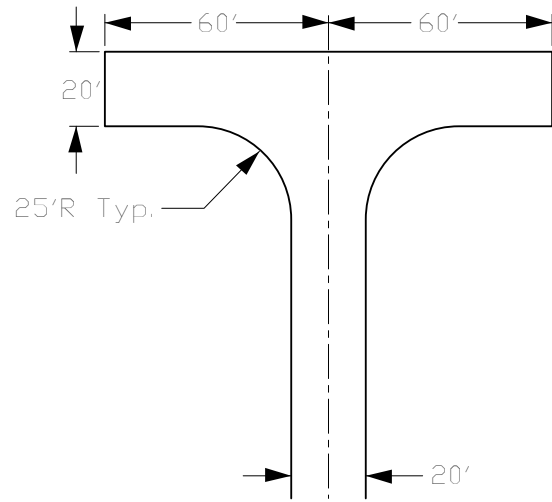
## **GENERAL:**

The minimum turnarounds and hammerheads for private land are provided in the attachment to this document. There may be instances where these turnarounds may be insufficient due to terrain, location, potential fire or life-safety hazards or other factors that could limit access. The Chief reserves the right to require additional access.

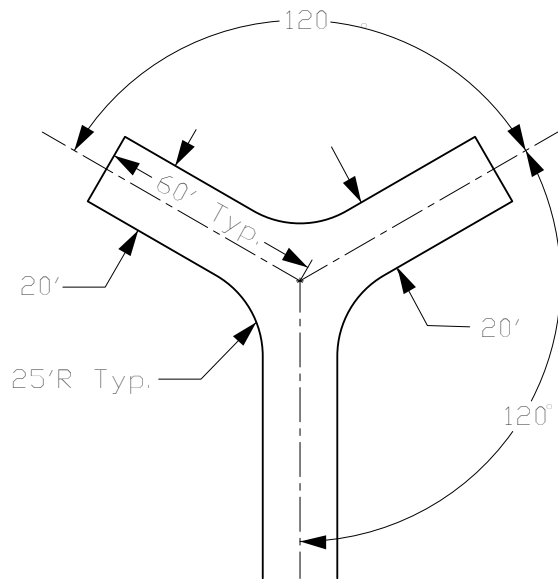
# City of Ontario Fire Department



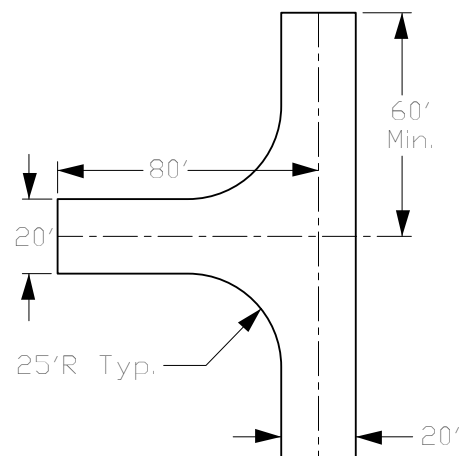
**80' Diameter  
Cul-de-Sac**



**120' Alley  
Hammerhead**



**Acceptable Alternative  
to Hammerhead**



**Acceptable Alternative  
to Hammerhead**

Acceptable turnarounds for all fire access roadways greater than 150' in length when non-circulating access is permitted.

Minimum turning radius 25 feet inside  
45 feet outside